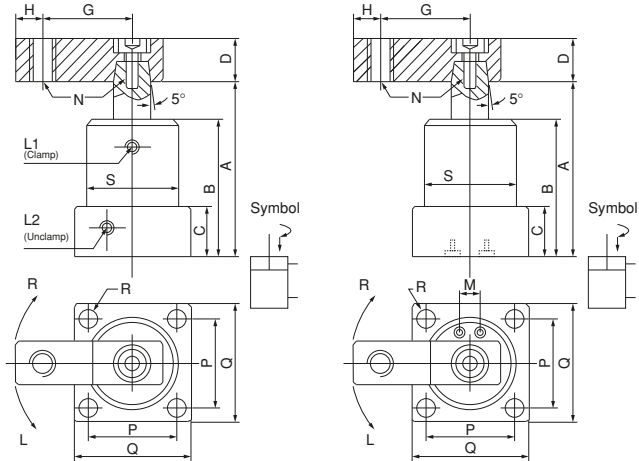


Referans Nr.	Mounting Type	Clamping Arm	Max. Pressure	Normal Pres.	Acting Type	Swivel Angle	Swivel Stroke (mm)	Clamp. Str. (mm)	Diameter Ø (mm)	Piston Rod Ø	Force (25kg/cm ²)	Unclamp	B (mm)	C (mm)	D (mm)	G (mm)	H (mm)	L1 Clamp	L2 Unclamp	N (mm)	P (mm)	Q (mm)	R (mm)	S (mm)	Manifold O-Ring	M (mm)	F (mm)	Weight (kg)
1043-NHS025	Bottom Flange	Single Arm	70 kg/cm ²	20-45 kg/cm ²	Double Acting	90° (0° 45° 60° 180°) ± 2°	12	14	25	18	59	100	70	23	□ 25.4	50	10	1/8 PF	M10 x1.5	40	50	Ø 6.5	Ø 45	S4	18	15	0.8	
1043-NHS032						14	15	32	20	125	111	76	25	□ 25.4	55	10	1/8 PF	M10 x1.5	44	55	Ø 6.5	Ø 50	S4	24	17	1.0		
1043-NHS040						14	15	40	20	200	113.6	80	27	□ 25.4	55	10	1/8 PF	M10 x1.5	48	62	Ø 8.5	Ø 54	S4	26	20	1.1		
1043-NHS050						14	15	50	20	400	114.5	80	27	□ 25.4	55	10	1/8 PF	M10 x1.5	57	74	Ø 8.5	Ø 65	S4	30	25	1.4		
1043-NHS063						14	15	63	25	600	118	85	32	□ 32	75	11	1/8 PF	M12 x1.75	70	88	Ø 10.5	Ø 80	S4	40	30	2.3		



Product Nr. 1043 Hydraulic Swing Clamp

NHS – Flange Version, Single Arm
With Pipe or the Manifold

- Before buying please, movement indicate the type and rotation angle.

