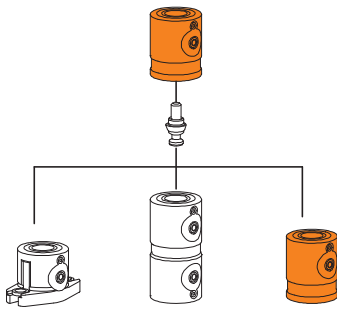
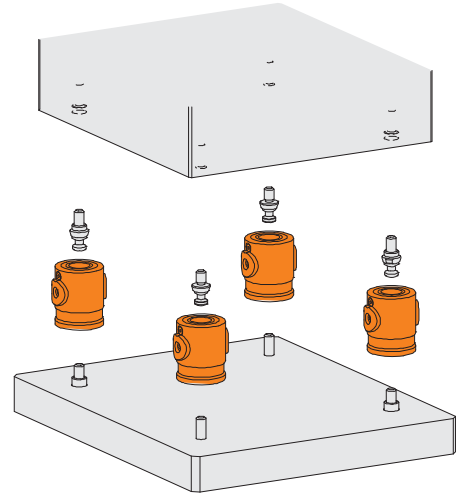
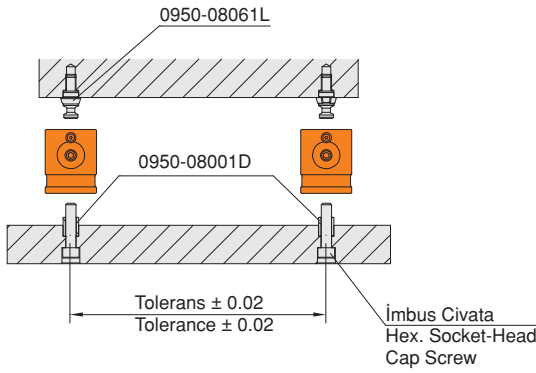
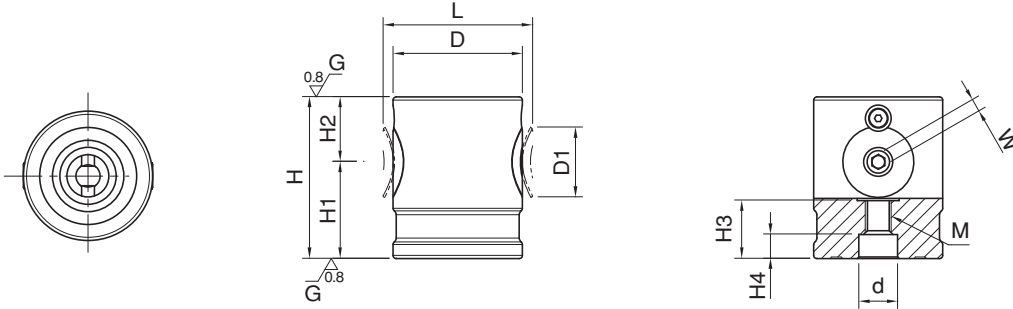


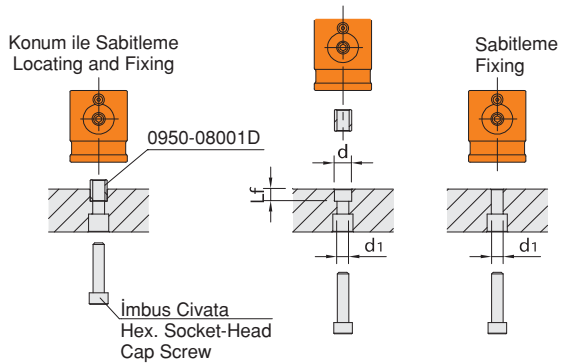
| Referans Nr. | D  | H<br>(±0.01) | D1 | L  | H1 | H2 | H3 | d<br>(H7) | H4   | M   | W | Sıkma Kuvveti<br>Clamping Force<br>Kgf | İzin Verilen<br>Tork<br>Allowable Screw<br>Torque (N-m) | (g)  |
|--------------|----|--------------|----|----|----|----|----|-----------|------|-----|---|--|---|------|
| 0950-08050   | 40 | 50           | 22 | 46 | 30 | 20 | 18 | 40        | 7.5  | M8  | 4 | 800                                    | 8   | 500  |
| 0950-12080   | 60 | 80           | 32 | 69 | 50 | 30 | 25 | 60        | 10.5 | M12 | 6 | 1500                                   | 22  | 1600 |



Ürün Nr. 0950 5-Eksen Blok Bağlama Yükseltme Product Nr. 0950 5-Axis Clamping Block Extension



### Uygulama Örneği / Application Example



| Referans Nr. | d<br>(H7) | Lf   | d1<br>(+0.2<br>0) |
|--------------|-----------|------|-------------------|
| 0950-08050   | 12        | 8.5  | 12                |
| 0950-12080   | 18        | 12.5 | 18                |