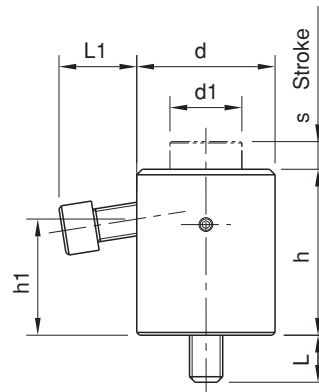
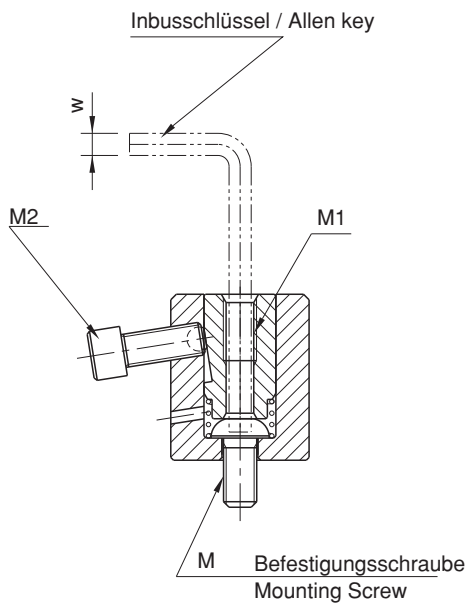


Referenz-Nr. Order No.	h	s	M1	d1	d	M	L	w	h1	L1	M2	zulässiges Drehmoment Allowable Screw Torque(Nm) a	Stütze Kapazität Support Capacity (kgf)	Kolbenfederkraft Piston Spring Force (N)	 (g)
1588-060	33	6	M6x12	14	28	M6	10	4	22	14.1	M6x16	7.5	400	10~22	150
1588-080	42	10	M8x16	19	35	M8	15	5	28.5	18.8	M8x20	14	600	10~27	300
1588-100	50	10	M10x20	22	42	M10	14	6	34	23.8	M10x25	18	750	14~28	540
1588-120	60	10	M12x24	26	50	M12	17	8	42	28.5	M12x30	22	900	15~30	865
1588-160	70	10	M16x32	33	60	M16	22	10	47	26.5	M12x30	25	900	15~35	1.390

**1588**  
• Schwarz beschichtet

**1588**  
• Black coating



### Anwendungsbeispiel / Application Examples

