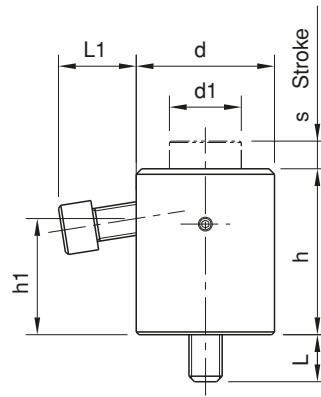
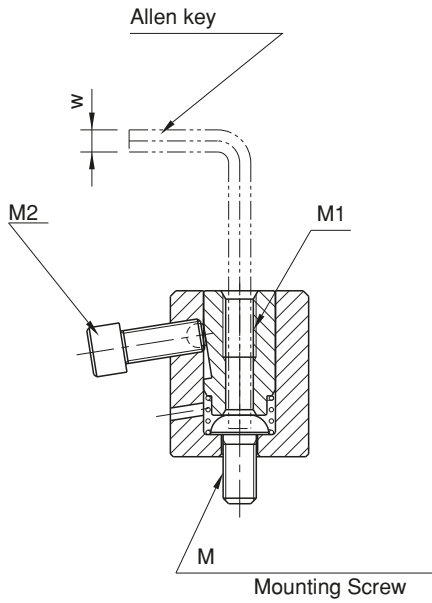


| Referans Nr. | h  | s  | M1     | d1 | d  | M   | L  | w  | h1   | L1   | M2     | Allowable Screw Torque(Nm) | Support Capacity (kgf) | Piston Spring Force (N) | (g)   |
|--------------|----|----|--------|----|----|-----|----|----|------|------|--------|----------------------------|------------------------|-------------------------|-------|
| 1588-060     | 33 | 6  | M6x12  | 14 | 28 | M6  | 10 | 4  | 22   | 14.1 | M6x16  | 7.5                        | 400                    | 10~22                   | 150   |
| 1588-080     | 42 | 10 | M8x16  | 19 | 35 | M8  | 15 | 5  | 28.5 | 18.8 | M8x20  | 14                         | 600                    | 10~27                   | 300   |
| 1588-100     | 50 | 10 | M10x20 | 22 | 42 | M10 | 14 | 6  | 34   | 23.8 | M10x25 | 18                         | 750                    | 14~28                   | 540   |
| 1588-120     | 60 | 10 | M12x24 | 26 | 50 | M12 | 17 | 8  | 42   | 28.5 | M12x30 | 22                         | 900                    | 15~30                   | 865   |
| 1588-160     | 70 | 10 | M16x32 | 33 | 60 | M16 | 22 | 10 | 47   | 26.5 | M12x30 | 25                         | 900                    | 15~35                   | 1.390 |

**Product Nr. 1588 Adjustable Support**

- Black coating


**Uygulama Örneği / Application Example**
