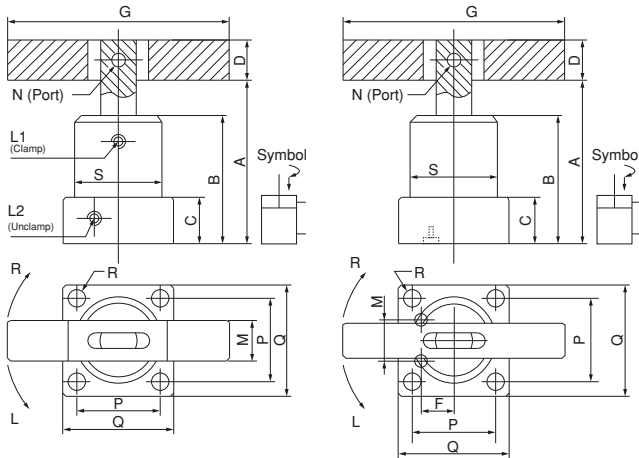


Referans Nr.	Mounting Type	Clamping Arm	Max. Pressure	Normal Pres.	Acting Type	Swivel Angle	Swivel Stroke (mm)	Clamp. Str. (mm)	Bore Diameter Ø (mm)	Piston Rod Ø	Force (kg/cm ²)	A (mm) Unclamp	B (mm)	C (mm)	D (mm)	G (mm)	L1 Clamp L2 Unclamp	N (mm)	P (mm)	Q (mm)	R (mm)	S (mm)	M (mm)	F (mm)	Weight (kg)
1058-NASD032	Bottom Flange	Double Arm	7 kg/cm ²	4-6 kg/cm ²	Double Acting	90° (0° 45°, 60°, 180°) ± 2°	12	14	32	16	30	102.5	71	23	□ 19	100	1/8 PF 8	Ø 8	44	54	Ø 6.5	Ø 50	22	17	0.80
1058-NASD040						12	15	40	16	50	106	75	26	□ 19	100	1/8 PF 8	Ø 8	48	58	Ø 6.5	Ø 55	26	19.5	0.95	
1058-NASD050						14	15	50	20	85	113	80	26	□ 22	120	1/8 PF 8	Ø 8	55	68	Ø 8.5	Ø 65	30	24	1.40	
1058-NASD063						14	15	63	25	140	119	86	30	□ 22	120	1/8 PF 8	Ø 8	64	80	Ø 8.5	Ø 75	40	29	1.90	



Product Nr. 1058 Pneumatic Swing Clamp

NASD – Flange Version, Double Arms
With Pipe or the Manifold

- Before buying please, movement indicate the type and rotation angle.

