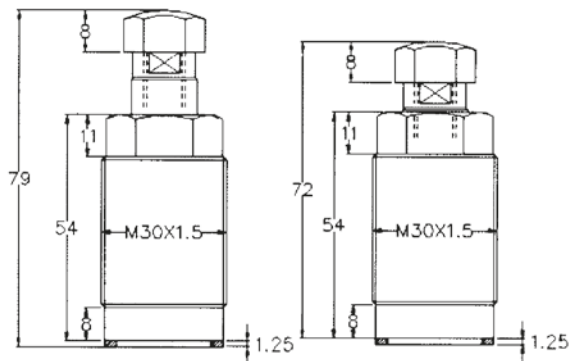


Referans Nr.	Betriebsdruck Operating Oil Pressure	Wirkungsart Acting Type	Hub Stroke	Kolbenstange Piston Rod Ø (mm)	Stützkraft 200kg/cm ² Supporting Force	Anlegkraft / kg Contact force	A	B	C	D	E	F	Gewicht Weight (kg)
1056-SP16A	100-350 kg/cm ²	Feder Spring	8	16	210 kg	-	79	54	8	M30 x1.5	11	8	0.30
1056-SP16B	100-350 kg/cm ²	Hydraulik Hydraulic	8	16	210 kg	2.35	72	54	8	M30 x1.5	11	8	0.30

1056



SP16A

SP16B

Montagedetails / Mounting details

