

Referenz-Nr. Order No.	Hub Stroke (mm)		Zylinderkraft(kN) / Cylinder Force(kN)				Zylinderdurchmesser (mm) Cyl. inner dia. (mm)	Stangendurchmesser (mm) Rod dia. (mm)	Wirkungsfläche (cm ²) Effec. area (cm ²)	Max. Ölflussfläche (l/min) Max. oil flow rate (l/min)	Zylinderkapazität (cm ³) Cylinder cap. (cm ³)		Rückkehr Federkraft (N) Return spring force (N)	Spannkraft Clamp Force (200g/cm ²)
			Hydraulikdruck Hydraulic Press. 3.5 MPa	Hydraulikdruck Hydraulic Press. 7 MPa	Hydraulikdruck Hydraulic Press. 25 MPa	Hydraulikdruck Hydraulic Press. 35 MPa								
1055-CMD02	5	10	0.3	0.5	2.1	2.9	16	10	0.84	0.25	0.5	0.9	30~56	245
1055-CMD04	5	10	0.4	0.9	3.4	4.8	18	10	1.37	0.41	0.7	1.4	43~77	351
1055-CMD06	10	20	0.7	1.5	5.6	7.9	22	12	2.29	0.69	2.3	4.6	65~120	533
1055-CMD10	10	20	1.2	2.5	9.3	13	28	16	3.76	1.13	3.8	7.5	100~193	828
1055-CMD20	10	20	2	4.3	15.8	22.2	36	20	6.40	1.92	6.4	12.8	170~267	1400

1055

Bestellbeispiel
Ordering example

Nr. 1055

CMD

02
Serie / Series

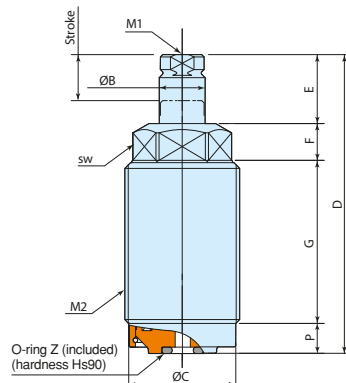
16
Kolben Ø
Piston Ø

5
Hub / Stroke



Technische Daten / Technical Dimensions

	Hub (mm) Stroke (mm)		B	C	D			E	F	G			(hex Weite) (hex width across flats) sw	(Körper mit Gewinde) (tip section thread) M1	(Einschraub) (threaded body) M2	P	Q	R	S		T	(Hydr. Verbindung) (hydraulic connection port) U	V	W	X	Y	O-Ring Z	O-Ring ZZ
CMD02	5	10	10	20.3	51	65	10	15	7.5	27	36	17	M6×1	M22	6.5	20.5	13	32.5	41.5	5.5	3	5	7	4	3	P6	AS568-017	
CMD04	5	10	10	23.3	51	65	10	15	8	26.5	35.5	19	M6×1	M25	6.5	23.5	14	32	41	5.5	3	5	7.5	4	3	P6	AS568-019	
CMD06	10	20	12	28.3	69	96	16	26	9.5	35.5	52.5	24	M8×1.25	M30	8	28.5	15	42.5	59.5	7	3	5	9.5	4	3	P6	AS568-022	
CMD10	10	20	16	34.3	73	101	17	27	11.5	35.5	53.5	30	M10×1.5	M36	9	34.5	17	43.5	61.5	8	4	5	12	4	3	P6	AS568-026	
CMD20	10	20	20	46.3	80	109	19	29	13.5	35.5	54.5	41	M12×1.75	M48	12	46.5	20	46.5	65.5	11	6	7	15	4	3	P8	AS568-031	



Montagedetails / Mounting details

