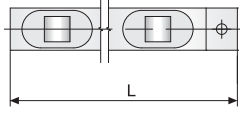
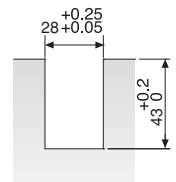
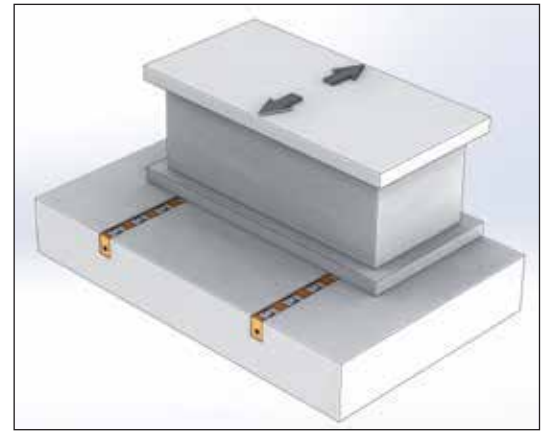


DLS





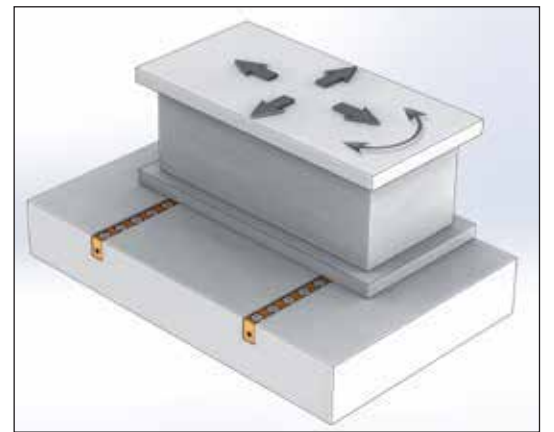
DBS

Dış Ölçüler Outline Dimensions	D□28 Serisi / Serial
	
Pleyt için işlem ölçüsü (U-Kanal) Processing Size for Plate (U-slot)	



Model DLS Hareket Yönü
Model DLS Movement Direction

Referans Nr.	L	D□28					
		DLS28			DBS28		
		Rulo Roller (DLS)		Kapasite Capacity kg	Misket Ball (DBS)		Kapasite Capacity kg
1022-0200	200	3	4	500	5	5	315
1022-0300	300	5	6	750	7	7	441
1022-0400	400	6	7	875	10	10	630
1022-0500	500	8	9	1125	12	12	756
1022-0600	600	9	10	1250	15	15	945
1022-0700	700	11	12	1500	17	17	1071
1022-0800	800	12	13	1625	20	20	1260
1022-0900	900	14	15	1875	22	22	1386
1022-1000	1000	15	16	2000	25	25	1575
1022-1100	1100	16	17	2125	27	27	1701
1022-1200	1200	17	18	2250	30	30	1890
1022-1300	1300	18	19	2375	32	32	2016
1022-1400	1400	19	20	2500	35	35	2205
1022-1500	1500	20	21	2625	37	37	2331
1022-1600	1600	22	23	2875	40	40	2520
1022-1700	1700	24	25	3125	42	42	2646
1022-1800	1800	25	26	3250	45	45	2835
1022-1900	1900	27	28	3500	47	47	2961



Model DBS Hareket Yönü
Model DBS Movement Direction