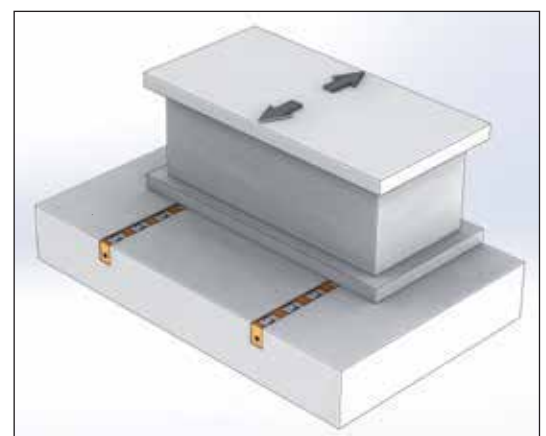


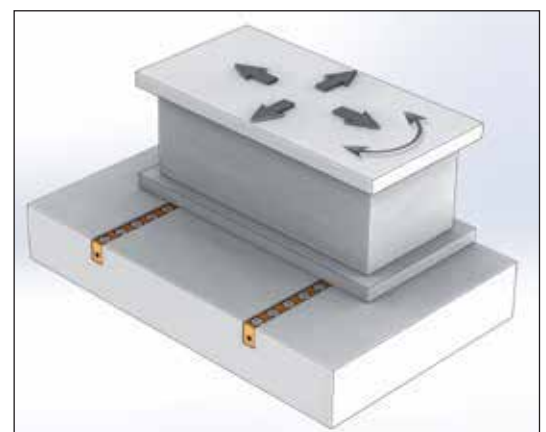
Outline Dimensions	<p>D□22 Serial</p>
Processing Size for Plate (U-slot)	



Model DL Movement Direction

Referans Nr.	L	D□22				Hyd. cylinder	
		DL22		DB22		Piston	Capacity kg
		Roller (DL)	Capacity kg	Ball (DB)	Capacity kg		
1020-0200	200	3	480	5	370	2	1000
1020-0300	300	5	800	7	518		
1020-0400	400	6	960	10	740		
1020-0500	500	8	1280	12	888	3	1500
1020-0600	600	9	1400	15	1110		
1020-0700	700	11	1500	17	1250		
1020-0800	800	12	1920	20	1480	4	2000
1020-0900	900	14	2000	22	1628		
1020-1000	1000	15	2000	25	1850		

Product Nr. 1020 Die Lifter Hydraulic Model DL-DB



Model DB Movement Direction