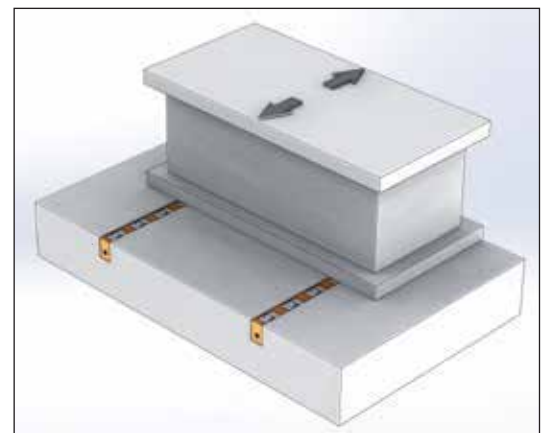


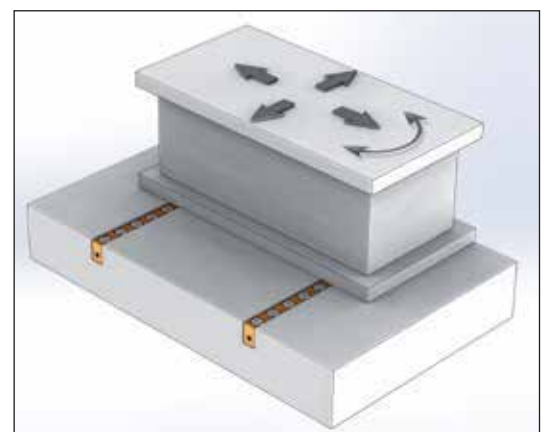
Outline Dimensions	<p>D□18 Serial</p>
Processing Size for Plate (U-slot)	



Model DL Movement Direction

Referans Nr.	L	D□18				Hyd. cylinder	
		DL18		DB18		Piston	Capacity kg
		Roller (DL)	Capacity kg	Ball (DB)	Capacity kg		
1020-0200	200	3	300	5	250	2	560
1020-0300	300	5	500	7	350		
1020-0400	400	6	560	10	500		
1020-0500	500	8	800	12	600	3	840
1020-0600	600	9	840	15	750		
1020-0700	700	11	840	17	840	4	1120
1020-0800	800	12	1120	20	1000		
1020-0900	900	14	1120	22	1100	5	1400
1020-1000	1000	15	1250	25	1250		

Product Nr. 1020 Die Lifter Hydraulic Model DL-DB



Model DB Movement Direction