

Referenz-Nr. Order No.	D	H	D1		H1	d	
0950-08001LS	15.5	10	12	g6	5	8	6
0950-12001LS	24.5	12	18	g6	6	12	24
0950-08001SM	15.5	12	12	-0.02	5	-	11
0950-12001SM	24.5	18	18	-0.05	6	-	37

0950

- Geschliffene Toleranz ± 0.02
- Standard-Toleranz $^{+0.1}_0$

0950

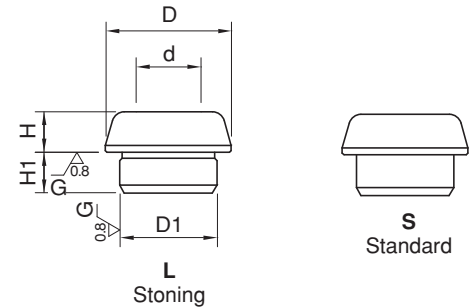
- Stoning Tolerans ± 0.02
- Standard Tolerance $^{+0.1}_0$



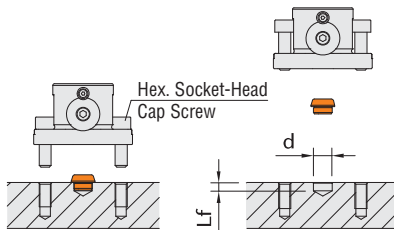
LS
Stoning
Tolerance ± 0.02



SM
Standard
Tolerance $^{+0.1}_0$



Anwendungsbeispiel / Application Examples



Referenz-Nr. Order No.	d (H7)	Lf
0950-08001LS	12	5.5
0950-12001LS	18	6.5

