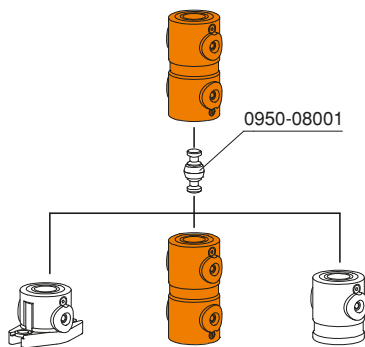
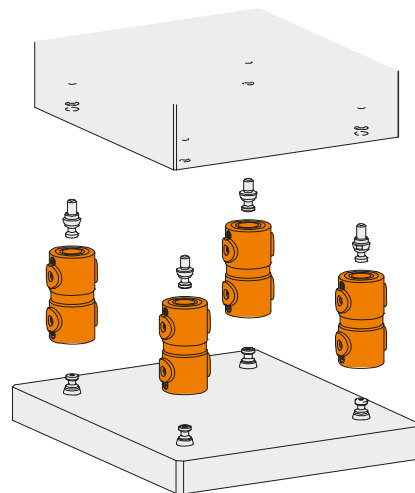
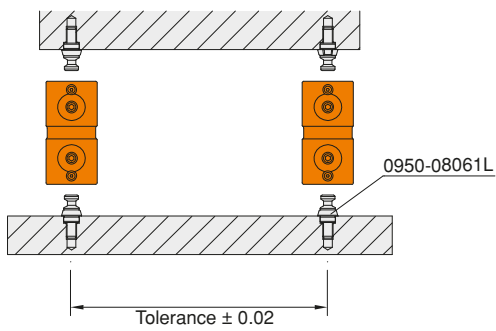
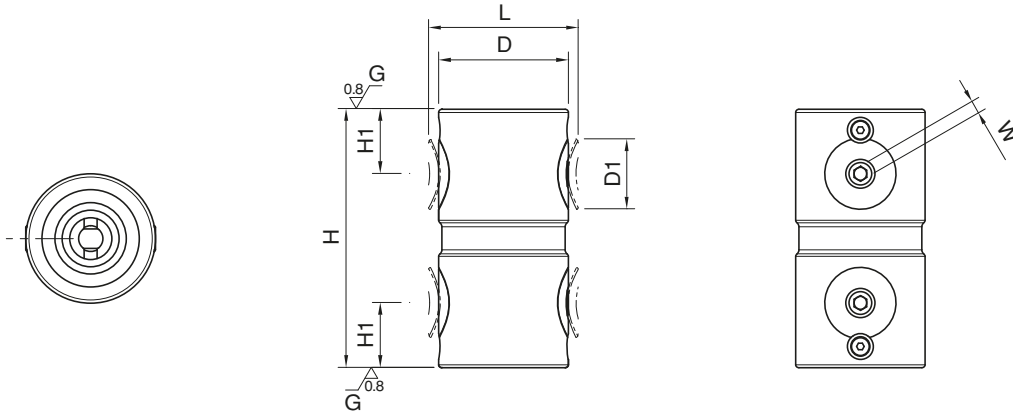


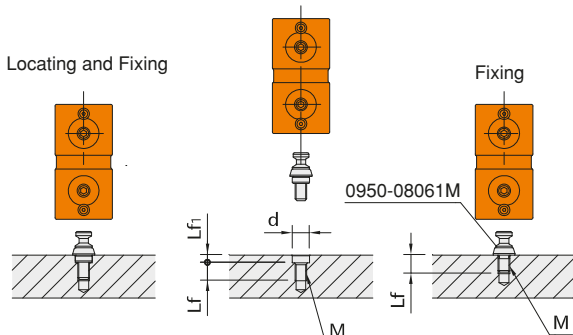
Referans Nr.	D	H (±0.01)	D1	L	H1	W	Clamping Force Kgf	Allowable Screw Torque (N-m)	(g)
0950-08080	40	80	22	46	20	4	800	8	700
0950-12125	60	125	32	69	30	6	1500	22	2600



Product Nr. 0950 5-Axis Clamping Block



Application Example



Referans Nr.	d (H7)	Lf	Lf1	M
0950-08080	12	13	5.5	8
0950-12125	18	19	6.5	12