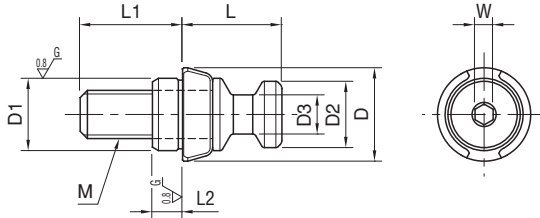
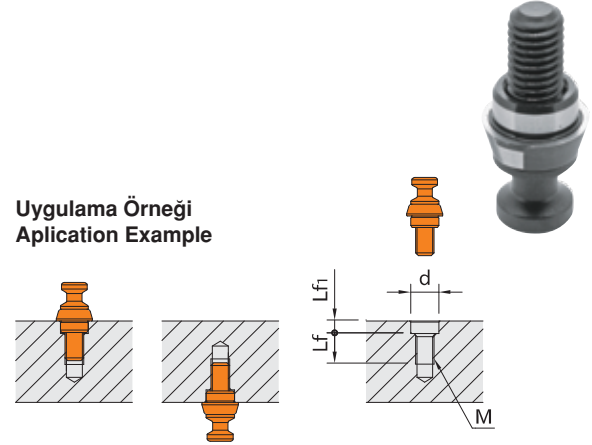


Referans Nr.	M	D1 (g6)	L2	L1	D	L	D2	D3	W	
0950-08061D	M6	10	5	17	15.5	16.5	11	6.5	3	17
0950-08001D	M8	12	5	17	15.5	16.5	11	6.5	3	20
0950-12081D	M8	12	5	17	24.5	25	16	9.5	5	51
0950-12001D	M12	18	6	24	24.5	25	16	9.5	5	70
0950-16121D	M12	18	6	24	31.5	33	21	13	6	123
0950-16001D	M16	22	7.5	30	31.5	33	21	13	6	150



### Uygulama rneęi Application Example



Referans Nr.	d (H7)	Lf	Lf1	M
0950-08061D	10	13	5.5	M6
0950-08001D	12	13	5.5	M8
0950-12081D	12	13	5.5	M8
0950-12001D	18	19	6.5	M12
0950-16121D	18	23	6.5	M12
0950-16001D	22	23	8	M16